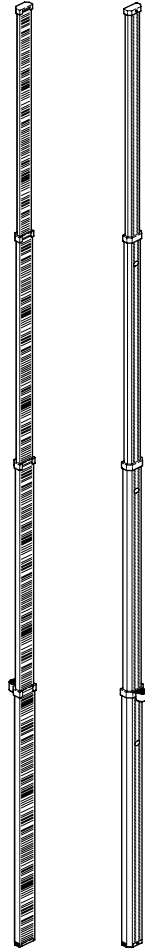


GTL4C/GTL4M

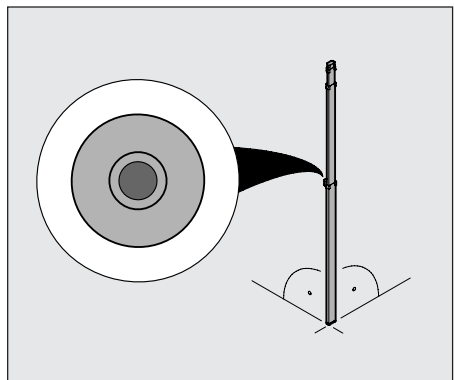
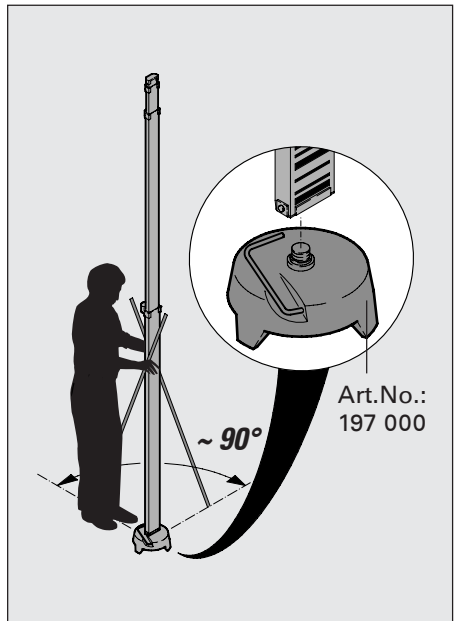
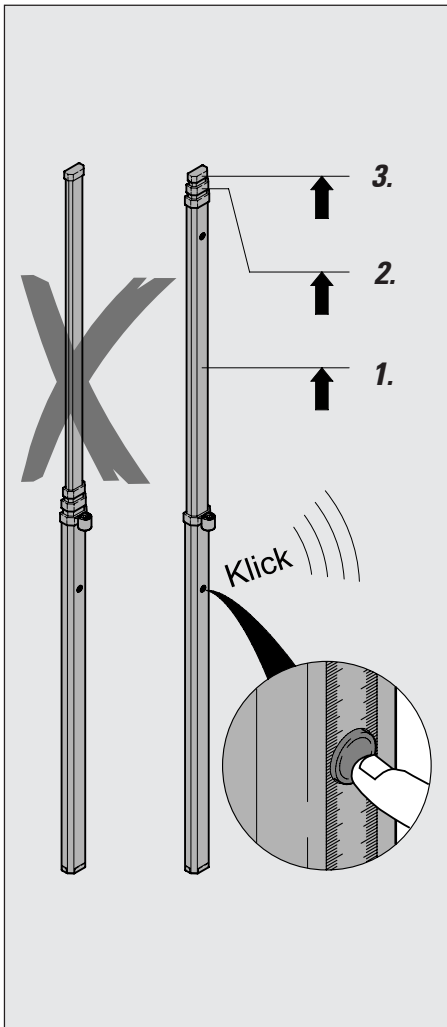
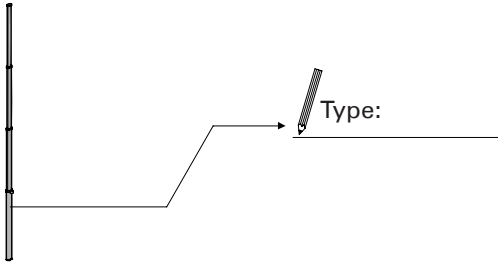


Gebrauchsanweisung
User Manual
Mode d'emploi
Istruzioni d'uso
Instrucciones de uso
Gebruiksaanwijzing
Bruksanvisning
Veiledning
Käyttöohje
Yleisohje
Leiðbeiningar um notkun
Instruções de utilização
Manual de utilizare
Příručka uživatele
Uživateľská príručka
Uporabniški priročnik
Instrukcja obsługi
Használati útmutató
Kasustusjuhend
Lietotāja rokasgrāmata
Vartotojo vadovas
Manwal ta' I-Utent
Ръководство за потребителя
Οδηγίες χρήσης
使用説明

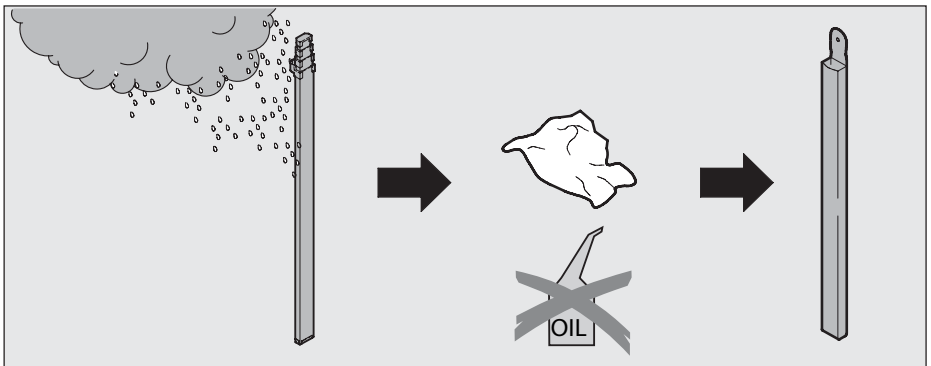
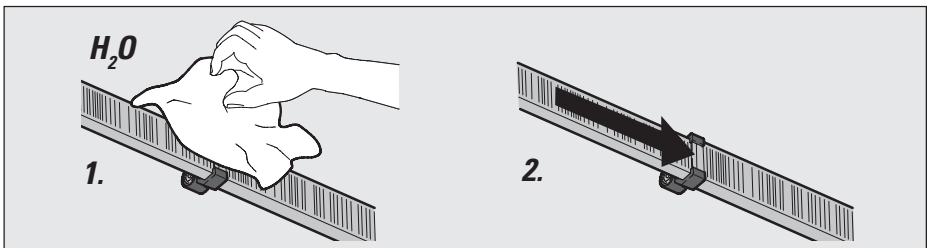
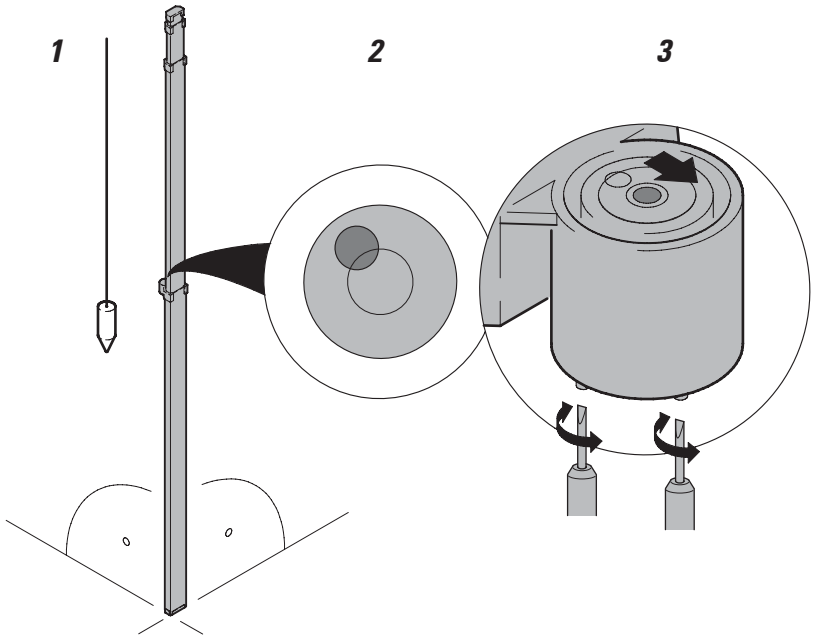


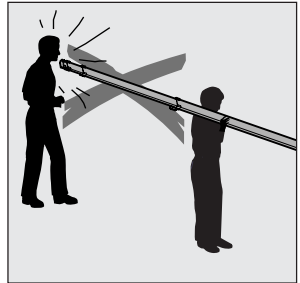
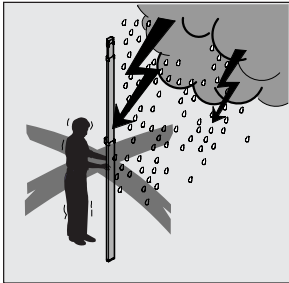
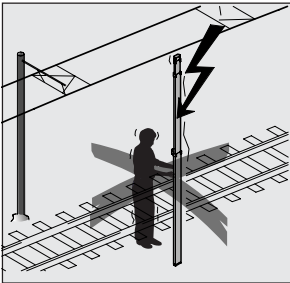
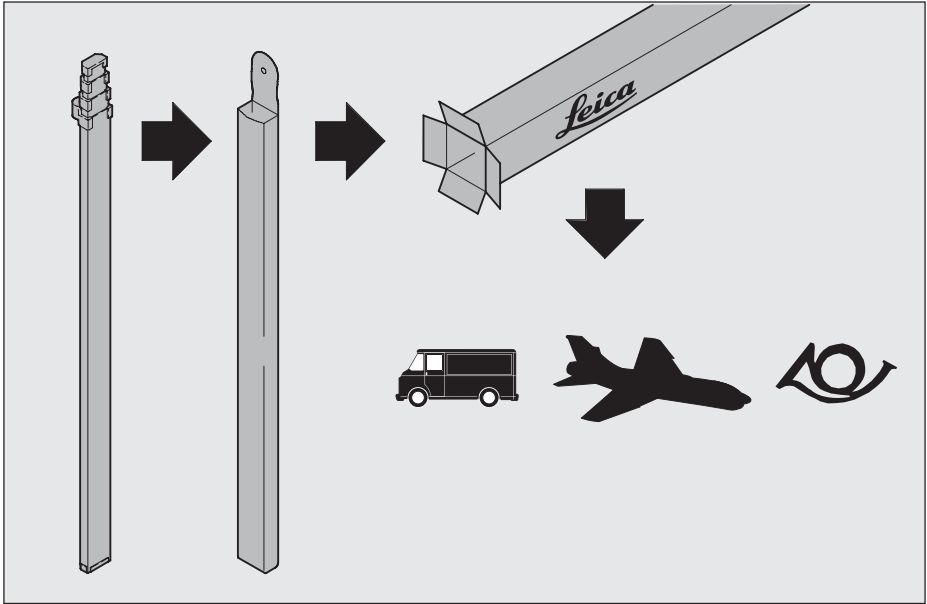
- when it has to be **right**

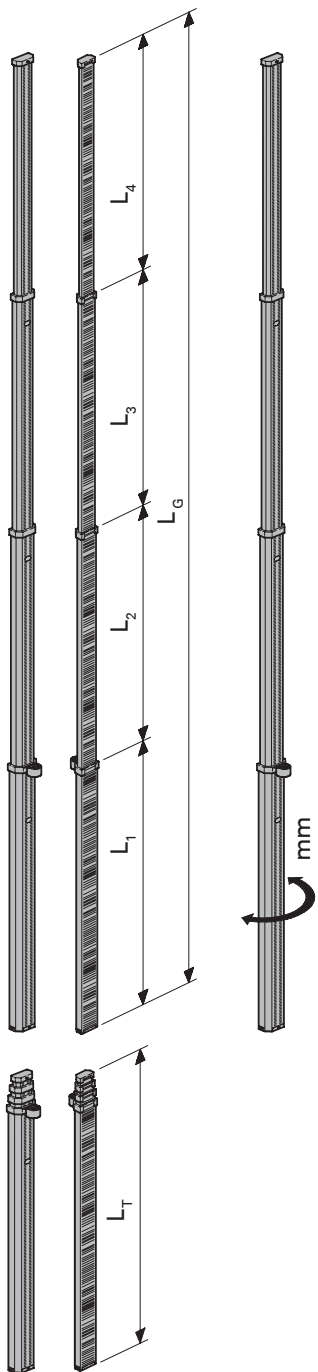
Leica
Geosystems



GTL4C:







	GTL4C	GTL4M
L_G	4.00m	4.08m
L_1	1.10m	1.13m
$L_1 + L_2$	2.01m	2.14m
$L_1 + L_2 + L_3$	3.01m	3.12m
L_T	1.19m	1.22m
	1.75kg	2.40kg
ΔL (DIN18703) 	$\pm(0.3\text{mm}+3\cdot L\cdot 10^{-4})$	
ΔL (73/362/EEC) Directive Para. 7 	$\pm(0.6\text{mm}+4\cdot L\cdot 10^{-4})$	
α_T	24ppm/°C	15ppm/°C
	-20°C - +50°C	
	-40°C - +70°C	
	$\pm 10'$	$\pm 30'$
	25/2mm	

Total Quality Management-
Our commitment to total customer satisfaction



Leica Geosystems AG, Heerbrugg, Switzerland, has been certified as being equipped with a quality system which meets the International Standards of Quality Management and Quality Systems (ISO standard 9001) and Environmental Management Systems (ISO standard 14001).

Ask your local Leica Geosystems agent for more information about our TQM program

Leica Geosystems AG
CH-9435 Heerbrugg
(Switzerland)
Phone +41 71 727 31 31
Fax +41 71 727 46 73
www.leica-geosystems.com

- when it has to be **right**

Leica
Geosystems